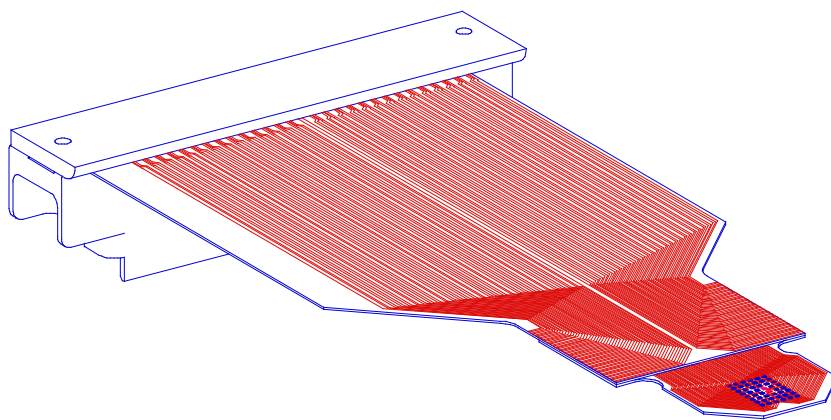


ALP TEX

Probes For Fine Pitch Connections



microBGA FlexProbes
0,75mm (.0295") Pitch

microBGA FlexProbes 0,75mm (.0295") Pitch

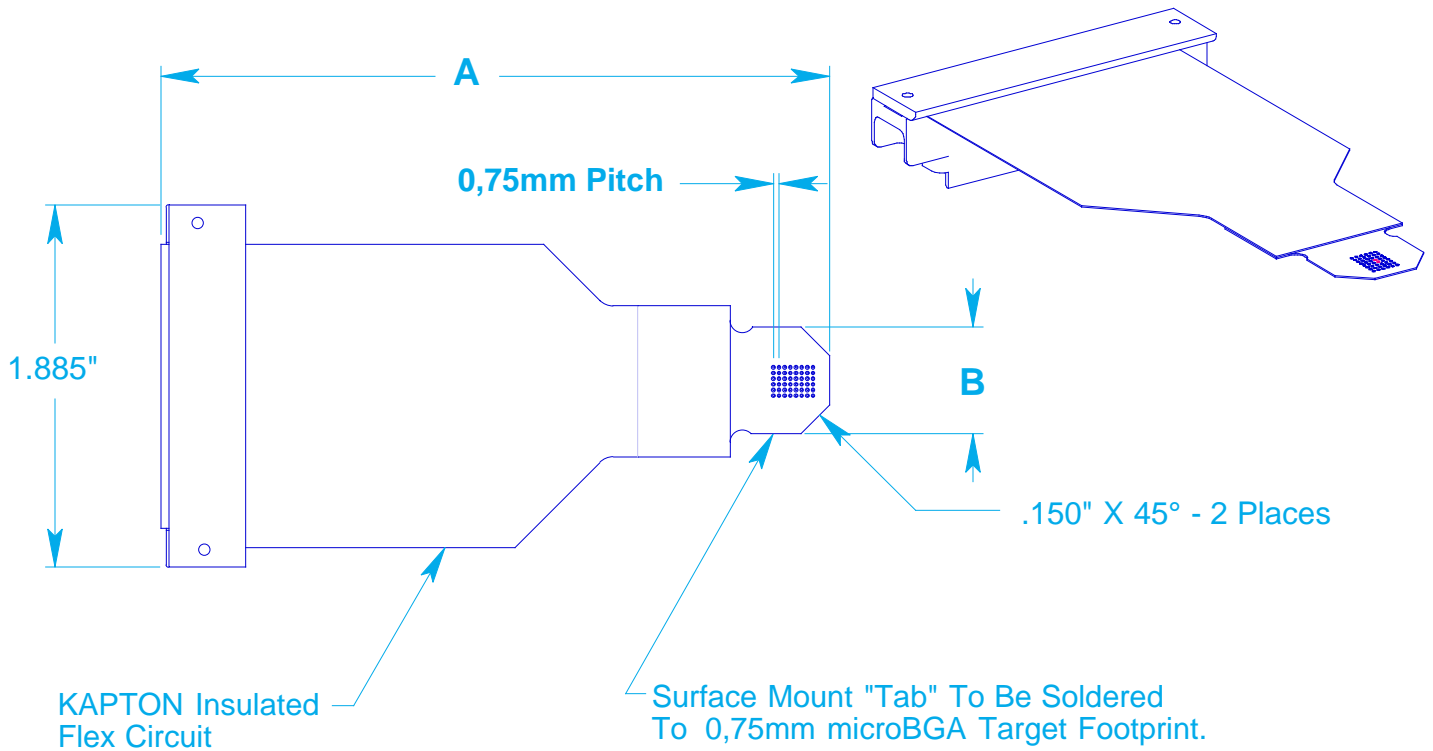
Data/Application Sheets

| ALPTEX Part Number | Description |
|-----------------------|---|
| 923741 | Standard Pinout, "Hermi" Connector, Direct Solder Type, 40/48 Lead |
| 923742 | Standard Pinout, Socket Connector, Direct Solder Type, 40/48/56 Lead |

.pdf files are also available for the following:

- 0,50mm (.0197") Pitch TSOP FlexProbes...TSOP_FP.pdf
- 0,80mm (.0315") Pitch SSOP FlexProbes...SSOP_FP.pdf
- 1,27mm (.050") Pitch PSOP FlexProbes...PSOP_FP.pdf
- 1,27mm (.050") Pitch PLCC FlexProbes...PLCC_FP.pdf
- FlexProbe Extenders...EXTENDFP.pdf

0,75mm microBGA FlexProbe (Direct Solder)



| PACKAGE | # LEADS | DIMENSION | | ALPTEX |
|--------------------|---------|-----------|------|-------------|
| | | A | B | PART NUMBER |
| 0,75mm microBGA | 40 | 3.441 | .468 | 923741-40 |
| | 48 | 3.482 | .557 | 923741-48 |

FEATURES:

- THE MOST FLEXIBLE "TARGET" INTERCONNECT AVAILABLE...MINIMIZES PHYSICAL STRAIN ON THE TARGET PADS.
- A UNIQUE SOLUTION FOR CONNECTING DIRECTLY TO YOUR P. C. BOARD.
- REFLOW SOLDERS TO STANDARD 0,75mm microBGA PAD PATTERN.
- ELIMINATES NEED TO ALTER P. C. BOARD BETWEEN DEVELOPMENT AND PRODUCTION PHASES.
- COMPACT LENGTH VIRTUALLY ELIMINATES CROSSTALK / EMI PROBLEMS.
- MERITEC HERMAPHRODITIC CONNECTOR PROVIDES A DEPENDABLE AND COMPACT INTERFACE FOR YOUR TEST / EMULATION CIRCUITRY.
- MADE ENTIRELY IN THE U.S.A.
- FLEXPROBES FOR EMULATING OTHER POPULAR COMPONENT PACKAGES ARE ALSO AVAILABLE...CONSULT FACTORY.

**ALP
TEX** Incorporated
P.O. Box 476
Orwell, Ohio 44076
(440)437-5570 • (440)437-5571 FAX
www.alptex.com

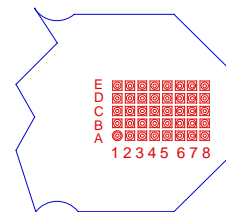
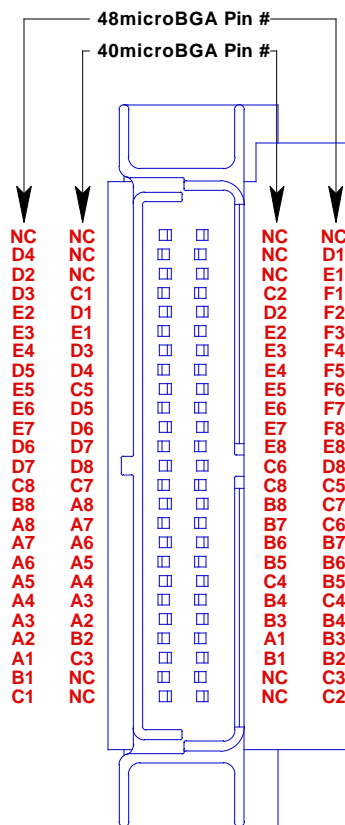
ALL STATEMENTS, SPECIFICATIONS AND TECHNICAL INFORMATION ON THIS DATA SHEET ARE SUBJECT TO CHANGE AT ANY TIME WITHOUT NOTICE.

0,75mm microBGA FlexProbe

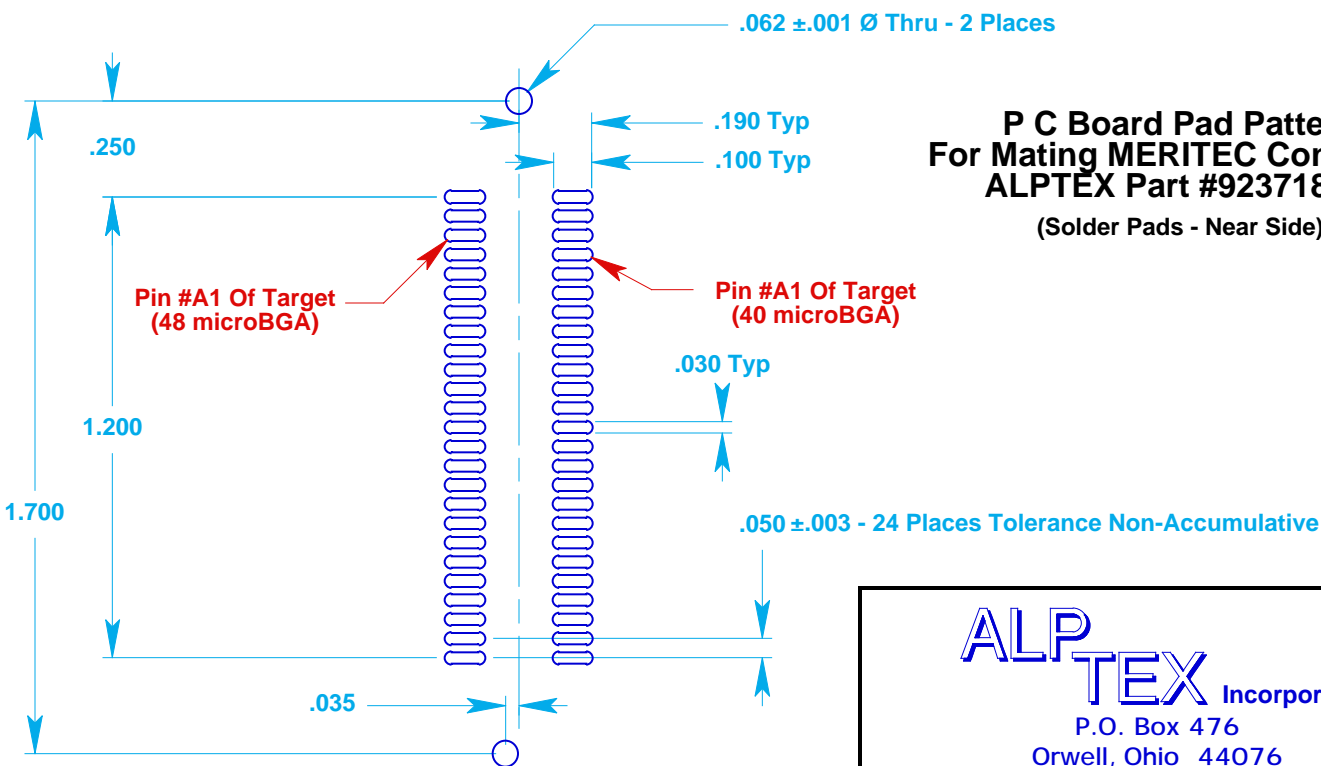
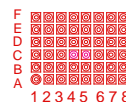
Application Data

ALPTEX Part Number 923741-XX

(Direct Solder)



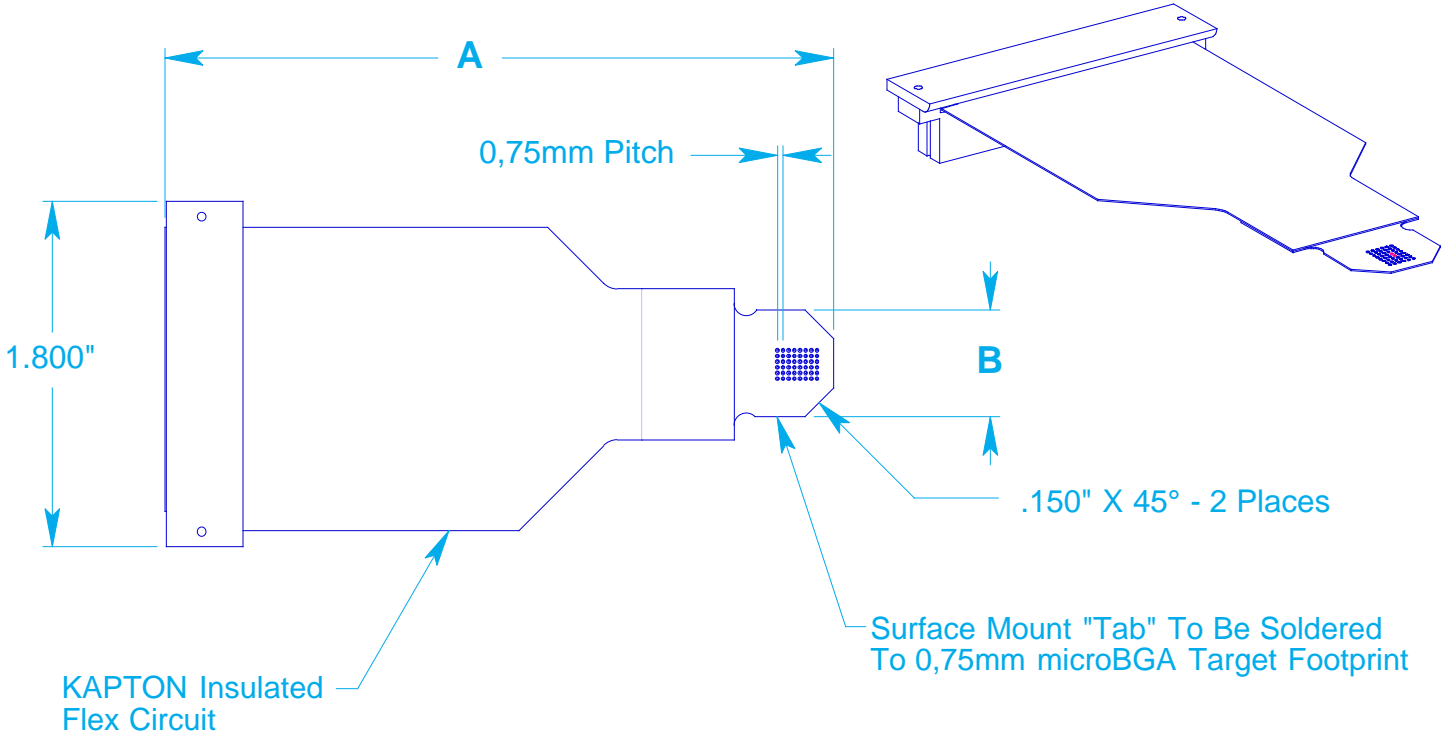
**FlexProbe Pinout
As Viewed From Bottom**
(Interface Connector - Near Side)



**ALP
TEX** Incorporated
P.O. Box 476
Orwell, Ohio 44076
(440)437-5570 • (440)437-5571 FAX
www.alptex.com

ALL STATEMENTS, SPECIFICATIONS AND TECHNICAL INFORMATION ON THIS DATA SHEET ARE SUBJECT TO CHANGE AT ANY TIME WITHOUT NOTICE.

0,75mm microBGA FlexProbe (Direct Solder)



| PACKAGE | # LEADS | DIMENSION | | ALPTEX PART NUMBER |
|-----------------|---------|-----------|------|--------------------|
| | | A | B | |
| 0,75mm microBGA | 40 | 3.441 | .468 | 923742-40 |
| | 48 | 3.482 | .557 | 923742-48 |
| | 56 | 3.524 | .633 | 923742-56 |

FEATURES:

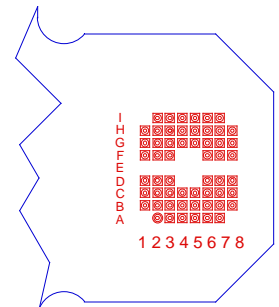
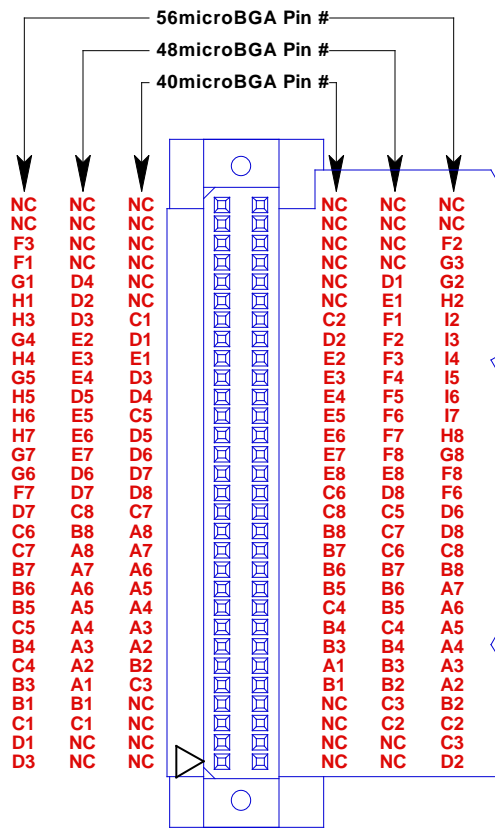
- THE MOST FLEXIBLE "TARGET" INTERCONNECT AVAILABLE...MINIMIZES PHYSICAL STRAIN ON THE TARGET PADS.
- A UNIQUE SOLUTION FOR CONNECTING DIRECTLY TO YOUR P. C. BOARD.
- REFLOW SOLDERS TO STANDARD 0,75mm microBGA PAD PATTERN.
- ELIMINATES NEED TO ALTER P. C. BOARD BETWEEN DEVELOPMENT AND PRODUCTION PHASES.
- COMPACT LENGTH VIRTUALLY ELIMINATES CROSSTALK / EMI PROBLEMS.
- MADE ENTIRELY IN THE U.S.A.
- FLEXPROBES FOR EMULATING OTHER POPULAR COMPONENT PACKAGES ARE ALSO AVAILABLE...CONSULT FACTORY.

ALPTEX Incorporated
P.O. Box 476
Orwell, Ohio 44076
(440)437-5570 • (440)437-5571 FAX
www.alptex.com

ALL STATEMENTS, SPECIFICATIONS AND TECHNICAL INFORMATION ON THIS DATA SHEET ARE SUBJECT TO CHANGE AT ANY TIME WITHOUT NOTICE.

0,75mm microBGA FlexProbe

Application Data ALPTEX Part Number 923742-XX (Direct Solder)



(56 microBGA)

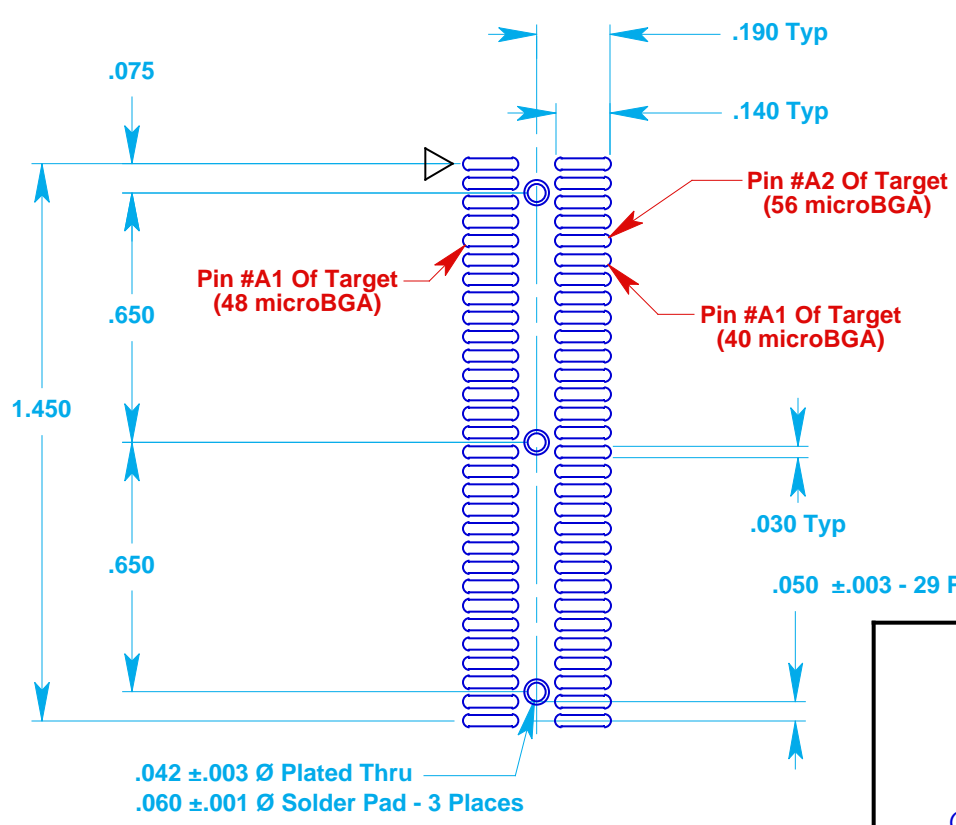
**FlexProbe Pinout
As Viewed From Bottom
(Interface Connector - Near Side)**



(48 microBGA)



(40 microBGA)



**P C Board Pad Pattern
For Mating AMP Connector
AMP #104549-8
(Solder Pads - Near Side)**

**ALP
TEX** Incorporated
P.O. Box 476
Orwell, Ohio 44076
(440)437-5570 • (440)437-5571 FAX
www.alptex.com

CONTENTS
PRODUCT INFO

ALL STATEMENTS, SPECIFICATIONS AND TECHNICAL INFORMATION ON THIS DATA SHEET ARE SUBJECT TO CHANGE AT ANY TIME WITHOUT NOTICE.